

<b>TECHNICAL SPECIFICATION</b>		<b>Rotary Dimmer Switch</b>	
Doc No.: <b>ROT_DIM_TS_R020</b>	Revision: <b>R2.0</b>	Effective: <b>11 MAY 15</b>	Page 1 of 3

### Revision History

Revision	Description	Prepared By	Effective Date
1.0	Initial Version	PONG	10 MAR 15
2.0	-- Update Max, Min Load -- Add 4.1 -- Update 5.0	PONG	11 MAY 15



**SUN Opal Ltd.**  
普日有限公司

香港灣仔軒尼詩道 199-203 號東華大廈 1302 室  
Rm 1302, Tung Wan Mansion, 199-203 Hennessy Road, Wan Chai, H.K  
TEL: (852) 28276689 FAX: (852) 25199357 E-MAIL: sales@metalcontact.com.hk

<b>TECHNICAL SPECIFICATION</b>		<b>Rotary Dimmer Switch</b>	
Doc No.: <b>ROT_DIM_TS_R020</b>	Revision: <b>R2.0</b>	Effective: <b>11 MAY 15</b>	Page <b>2</b> of <b>3</b>

### 1.0 Introduction

This rotary dimmer module is compatible with many dimmable LED lamps and fittings. They are ideal to retrofit onto existing wall plates or can be fitted onto Original Equipment Manufacturers own plates. Complete with a Push On / Push Off facility and rotary dimming control, can be used in 1-way or 2-way switching circuits and fitted with a thermal fuse for malfunction protection.

### 2.0 Product Features

- Trailing Edge Dimming Technology
- Lamp type: phase dimmable light, incandescent , halogen lamp
- MCU intelligent control – compatible to most different kind of lamps
- Two wires connection (no neutral)
- 2-way switch compatible
- CE and EMC approved (BS EN 60669-2-1 and BS EN 55015)

### 3.0 Specification

Description	Condition	Min.	Typ.	Max.	Unit
Rated Input Voltage	50 Hz	220	230	240	V
Standby Power	@230V	---	---	0.5	W
Operating Phase Angle		15	---	150	°C
Minimum Load	Incandescent lamp	4	---	---	W
	Dimmable LED Lamp	*4	---	---	
Maximum Load	Incandescent lamp	---	---	200	W
	Dimmable LED Lamp	---	---	150	
Operating Temperature	N/A	0	---	50	°C
Relative Humidity	Non-Frozen condition	---	---	90	%

*\*4W is the optimum minimum load on LED lamps tested. However due to the variable nature of LED lamp drivers we cannot guarantee 4W is the minimum with ALL LED lamps and fittings.*

<b>TECHNICAL SPECIFICATION</b>		<b>Rotary Dimmer Switch</b>	
Doc No.: <b>ROT_DIM_TS_R020</b>	Revision: <b>R2.0</b>	Effective: <b>11 MAY 15</b>	Page 3 of 3

#### 4.0 Operation

- Turn On/Off  
Press the knob to turn the lamp on and off.
- Dimming  
Rotate it clockwise to brighten the lamp and anti-clockwise to dim.

#### 4.1 Minimum Dim Level Setting

When dimming light source, such as LED or fluorescent lamp, people may want to set the minimum dim level, because some of such light source will turn off completely or flickering when dimming level is too low.

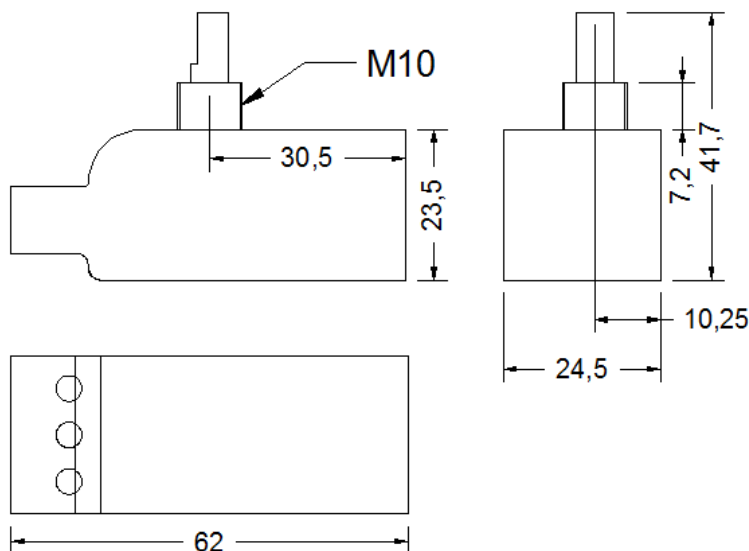
Setting procedure:

- a). Turn on the lamp by pressing the knob
- b). Increase Dim Level until lamps are all turn on
- c). Press and hold the knob for around 10 seconds
- d). All the lamps will flash (turn off for a short time) for every 3.5 seconds – it indicates that the dimmer is in Minimum Dim Level Setting Mode.
- e). Adjust the dim level until it is the Intended Minimum Level
- f). Short press the knob to exit the Setting Mode.
- g). Dimmer return to normal operation mode.

#### 4.2 2-Way Switching

The lamp can be switched from other locations by using standard 2-way and intermediate wall switches. It cannot be dimmed from another location and no other dimmer should be into the same switch circuit.

#### 5.0 Mechanical Size



<b>TECHNICAL SPECIFICATION</b>		<b>Rotary Dimmer Switch</b>	
Doc No.: <b>ROT_DIM_TS_R020</b>	Revision: <b>R2.0</b>	Effective: <b>11 MAY 15</b>	<b>Page 4 of 3</b>

## **LED Lamp Compatibility Chart**

Osram 10 W 806 lm Dimmable GLS LED Lamp, E27 Base 4000K

Osram 4W 250 lm Dimmable GLS LED Lamp, E27 Base 2700K

Philips 10W 806lm Dimmable GLS LED Lamp, E27 Base 2700K

Philips 3.4W 250lm Dimmable GLS LED Lamp, E27 Base 2700K

GE 8W 470lm Dimmable GLS LED Lamp, E27 Base

GE 4.5W 250lm Dimmable GLS LED Lamp, E27 Base 2700K

Megaman 6W 470lm Dimmable GLS LED Lamp, E27 Base 2800K

Megaman 10.5W 810lm Dimmable GLS LED Lamp, E27 Base 2800K

Ikea 11W 600lm Dimmable GLS LED Lamp, E27 Base 2700K

## **Compact Fluorescent Lamp**

Compatibility Chart

Philips Tornado 20W 1100lm Dimmable CFL, E27 Base 6500K

“Compatible Light Bulbs Not Limited To The Above Models, But Should Be Most Of The Modern Dimmable Light Source”